

Y13 Applied Technology Worksheet # 8

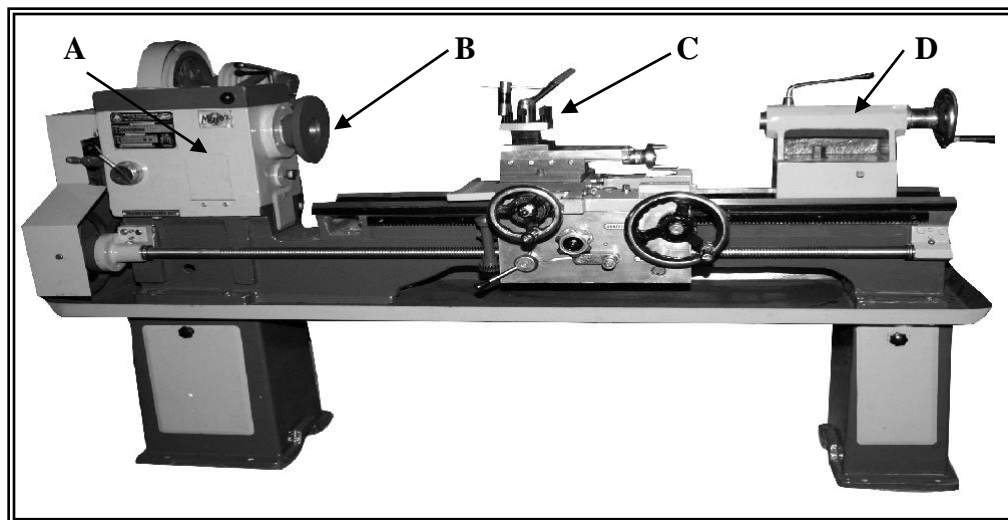
Note: Students to attempt this at the back of their exercise book.

QUESTION 8

MACHINES AND ENGINES

(10 marks)

- (a) Explain the function of the Flywheel. (2 marks)
- (b) Differentiate between **mist** and **wet sump lubrication** system. (2 marks)
- (c) Study the diagram given below and answer the questions that follow.



Source: Year 13 Applied Technology, Ministry of Education, 2017.

- (i) Name the machine. (1 mark)
- (ii) Label the parts marked A, C and D. (3 marks)
- (iii) Explain **one** function of the part labelled B. (2 marks)

